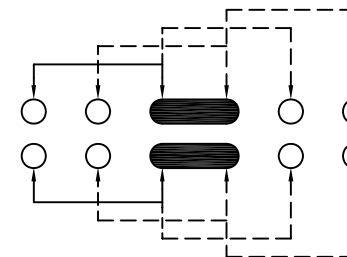
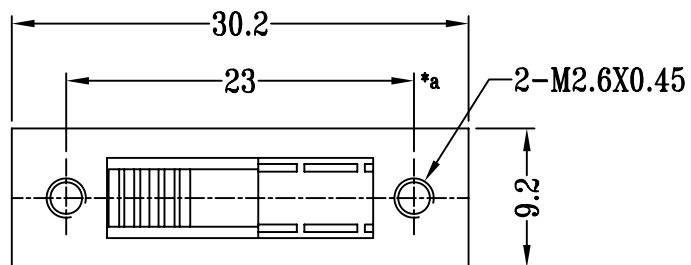
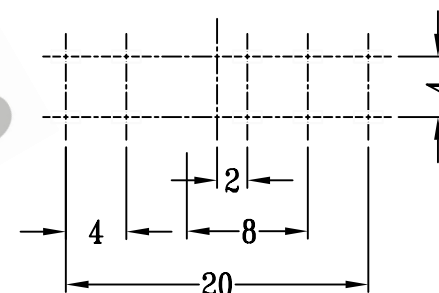
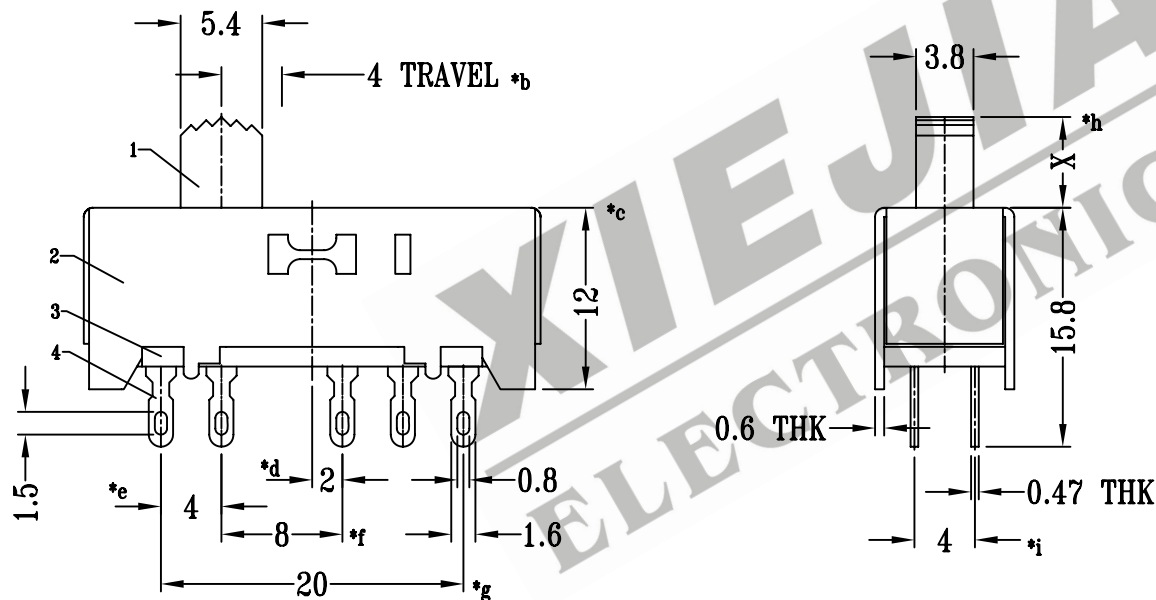


CAD FILE:



SCHEMATIC (SHORTING)



P.C.B LAYOUT

注:带"\*"表示关键尺寸(9个)

NO.	PARTS	MATERIALS	Q'TY	FINISH	TOLERANCE UNLESS SPECIFIED	SHENZHEN XIEJIA ELECTRONICS CO.,LTD.					
8						ISSUE		DATE		DESCRIPTIONS OF REVISION	APPD.
7	CONTACT CLIP	PBS STRIP	2	Ag PLATED	WITHIN: 1.5±0.1mm OVER : 1.5±0.2mm	TITLE : VERTICAL SLIDE SWITCH		UNIT : mm	DRWG NO.: XJ-DR-SS24H04-00		
6	SPRING	STEEL WIRE	1	TEMPER		MODEL: SS-24H04		SCALE: 2 : 1	DWN.	ZHOUYU	2002-6-13
5	STEEL BALL	STEEL	2	NATURAL		ALL MATERIALS MUST BE COMPLIANT TO ROHS			CHK'D	FANGYING	2002-6-13
4	TERMINAL	BRASS STRIP	10	Ag PLATED OVER Ni PLATED					APPD.	KANGXINAN	2002-6-13
3	BASE	PHENOLIC RESIN	1	BLACK							
2	FRAME	STEEL STRIP	1	Ni PLATED							
1	KNOB	POM	1	BLACK							